

# NCi-312

3MP Indoor Recessed Mini Dome  
with Wing Design, Fixed Lens, DWDR



## Main Features

- 3MP @20fps, Full 1080P @30fps
- Fixed lens 3.6mm F1.8 (option 2.8mm)
- DWDR
- Compact recessed in-ceiling design
- Support 0°C ~ 60°C/32°F ~ 140°F

ONVIF



## Product Overview

NEXCOM introduces new mini recessed IP camera offering outstanding 3MP image quality including support for 3.6 mm fix-focus function. NCI-312 IP Camera, available in indoor using scenario, are suitable for building/small shop surveillance solution. Digital WDR can overcome variation light condition continued to provide crystal clear image output. Compact design makes IP camera ideal for all kind of discreet working environments.

### 1080P @ 30 fps

NexCam supports high-performance H.264/MJPEG compression technology and offers extra smooth video at up to 30fps in 1080p. Furthermore, Video ROI [Region Of Interest] function reduce bandwidth and storage requirement, providing users with the best option in bandwidth flexibility and storage efficiency.

### Digital WDR

Digital Wide Dynamic Range is a feature in NCI-312 IP cameras that incorporates techniques for handling a wide range of lighting conditions in a scene which with extremely bright and dark areas, a typical camera would produce an image where objects in the dark areas would hardly be visible. Digital Wide Dynamic Range solves this by applying techniques such as using different exposures for different objects in a scene to enable objects in both bright and dark areas to be visible.

### Compact Design

NexCam is available in a compact design with stylish, low profile, and discreet housing. It's ideal for residential, office, mall, and store used and of course not limited to. It's indeed a space-saving design that would be perfect for getting an excellent overview for any indoor scene.



Conventional



NEXCOM

## Specifications

### Camera General Information

Image Sensor	1/3" 3MP progressive scan CMOS sensor
Minimum Illumination	B/W 0.05 lux/Color 0.1 lux
Lens	Fix Lens 3.6mm F1.8, option 2.8mm F2.0
Field of View	diagonal 75°/horizontal 55°/vertical 93°
Iris Type	Fixed Iris
Day and Night	YES (Digital D/N)
IR Distance	N/A
IR Wavelength	N/A
IR Control	N/A
ICR	N/A
WDR	YES (DWDR)
Image Enhance	Brightness, Contrast, Saturation, Sharpness, Backlight compensation, Mirror, Flip, Day/Night, Anti-flicker

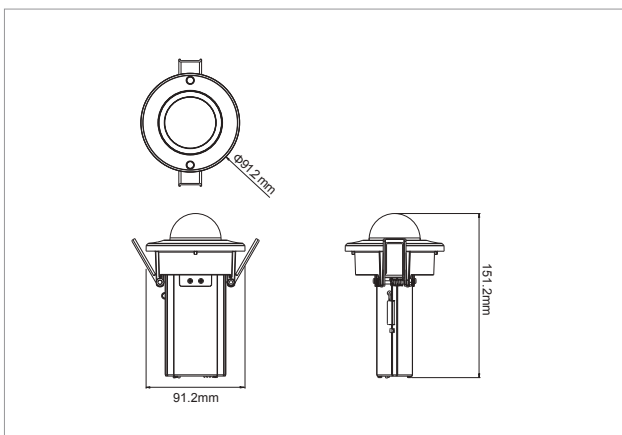
### Video

Video Compression	H.264/M-JPEG
Video Streaming	Triple streaming H.264 Stream 1/H.264 Stream2/MJPEG Stream 3
Video Resolution	2048x1536 to 320x240
Video Quality	VBR/CBR
Frame Rate	2048x1536 @20 fps 1920x1080 @30 fps 1280x720 @30 fps 720x576 @30 fps 720x480 @30 fps 640x480 @30 fps 320x240 @30 fps

### Audio

Audio Streaming	N/A
Audio Compression	N/A
Audio Input	N/A
Audio Output	N/A

## Dimension Drawing



### Network

Interface	10/100/1000 Mbps Ethernet, RJ-45
Supported Protocols	HTTP, TCP/IP, UDP, RTP, RTSP, FTP, SMTP, DHCP, DNS, DDNS, NTP, uPnP, ONVIF, IPv4/v6
Browser	Internet Explorer (support up to IE 10), Chrome, Firefox, Safari
Security	Multi-level passwords /HTTP encryption

### I/O Connector

Audio in/out Port	N/A
D I/O	DIx1, DOx1
RS485	N/A
Micro SD Card Slot	YES
RJ45	YES

### Event Management

Event Trigger	Motion detection, DI
Notifications	Trigger alarm output, email/FTP and record video to PC or SD card
Post Recording	YES
Pre Recording	YES

### Power

DC/AC	DC12V terminal block
PoE	YES/IEEE 802.3af

### General

Power Consumption	6 W max.
Weight	320g
Dimension	Φ 91.2mm x 151.2mm (H)
Operating Temp.	0°C ~ 60°C/32°F ~ 140°F
Humidity	90% RH (no condensation)
Certification	CE/FCC
Vandal Resistant	N/A
Weather Proof	N/A
Application	SDK available for application development

### Packaging Information

NWT	320g
GWT	570g
Dimension	214mm (D) x 129mm (W) x 128mm (H)

## Ordering Information

- ◆ NCI-312 (P/N: 10HI0031200X0)
- ◆ NCI-312-2 (P/N: 10HI0031201X0)(2.8mm Lens)